

## PRODUCT SPECIFICATIONS

### RRM SAFETY BARRICADE SYSTEM MODEL #3206-70



#### BARRICADE SPECIFICATIONS

**Barricade Type:** RRM Safety Barrier Model 3206-70

**Color/Part Number:** Safety Orange (3206SO-70), White (3206SW-70), Yellow (3206SY-70), Military Tan (3206MT-70), Olive Drab (3206OD-70), Blue (3206BL-70), Red (3206RD-70), and Grey (3206GY-70)

**Composition:** UV-Resistant Polyethylene

**Height:** 32" / 820 mm

**Length:** 72" / 1830 mm

**Width:** 18" / 458 mm

**Wall:** .25" / 6.35 mm (avg)

**Mass:** 70 lbs. empty / 653 lbs. filled with 70 gallons of water

**Description:** The RRM-Safety Barrier or portable barricade is a specialty barrier that is superior in strength and quality to the competition.

The barriers are designed to remain maintenance free and stay in place. Since they are made with recyclable, UV resistant polyethylene plastic, they won't chip, fade, crumble or spark if struck by a metal object. This barrier, when empty, allows for deployment by just one-two individuals and thus saving the high cost of additional manpower and equipment for set-up. This barrier is also designed to hold a flashing light if desired.

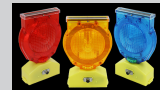
#### LIGHT & FENCING SPECIFICATIONS

##### 360 Degree Barricade Light



Part Number: 360BX (box base)  
Color Options: Red, Amber/  
Yellow, Clear, Blue

##### Solar Powered Type A/C Barricade Light



Part Number: DF002  
Color Options: Red, Amber/  
Yellow, Blue

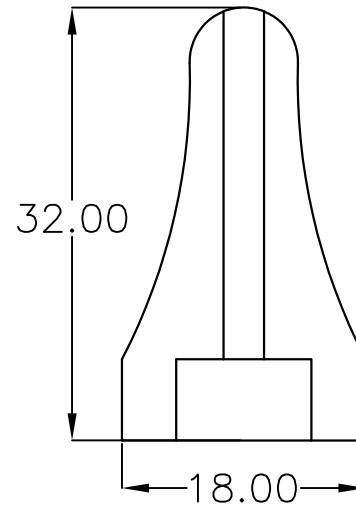
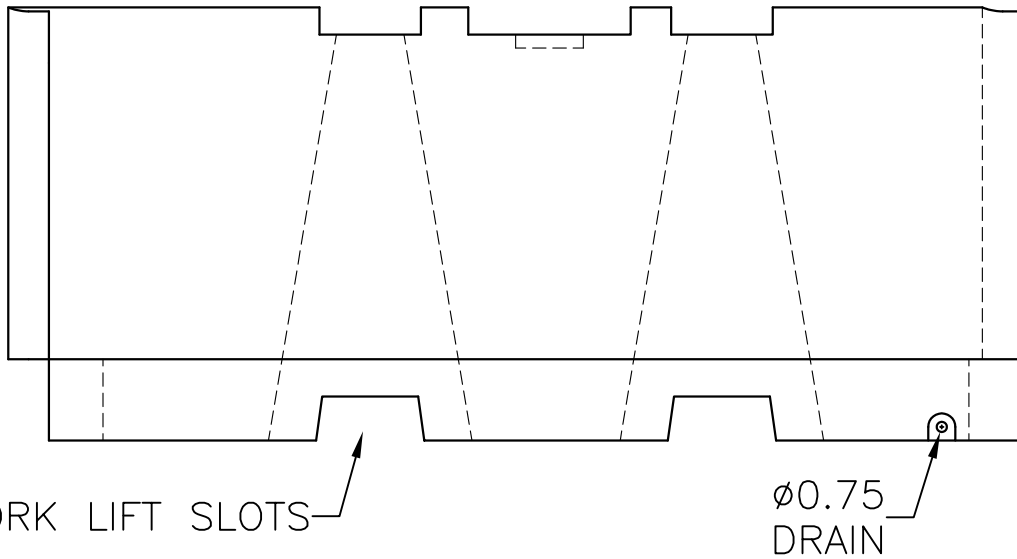
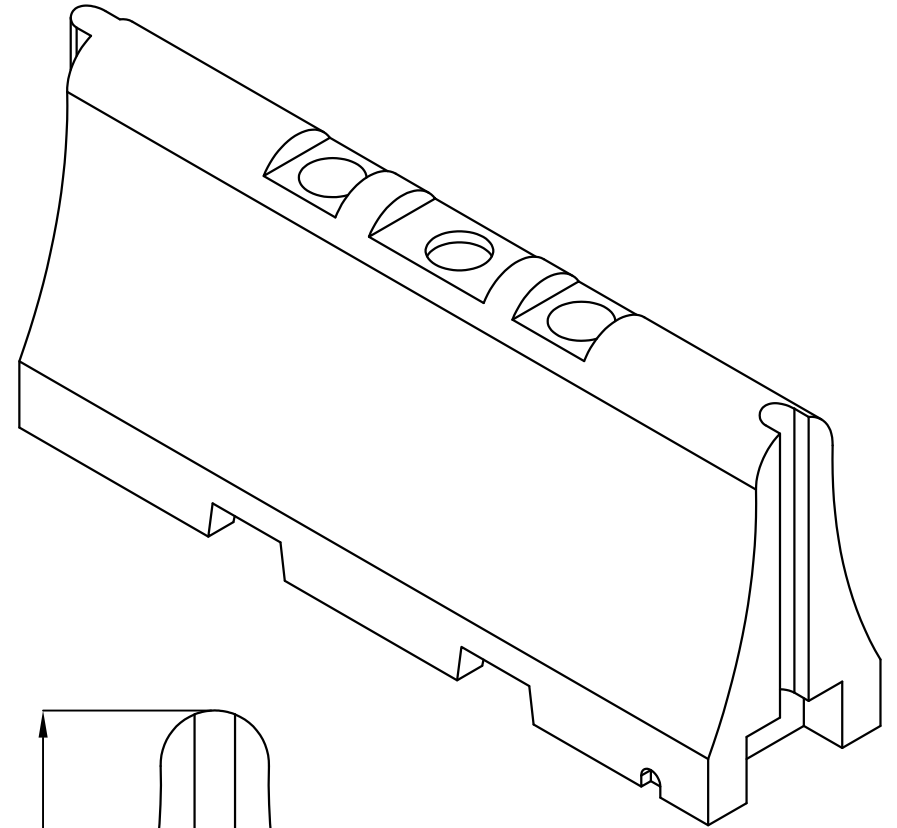
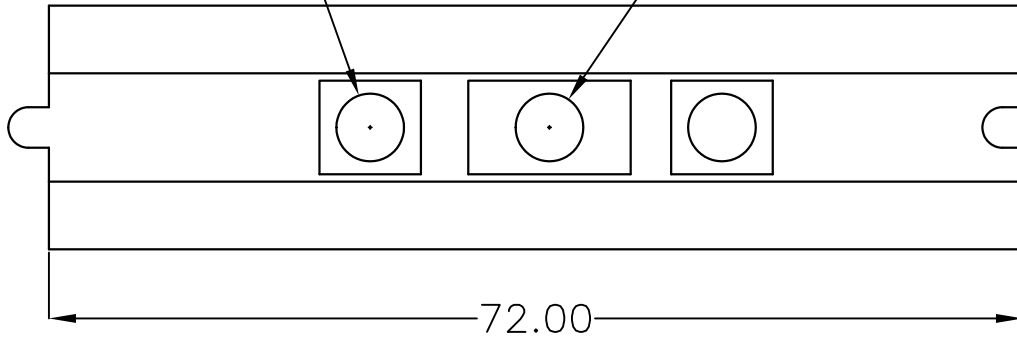
##### Fencing



# 32" BARRIER

2X MOLDED  
THROUGH  
COLUMNS

ø5.00  
FILL PORT



1/4" WALL THICKNESS  
70 LB PART